



# Accent Light – Type 1

(94400100)

## Compatibility

- 864TRV Fireplace
- 864 HH Fireplace
- 564 SS Fireplace

## Bulb Type

- 35 Watt 120 Volt T4 Halogen Bulb (G6.35 Base)

## Packing List

- (2) Accent Light Assemblies
- Strain Relief Plate
- Strain Relief
- Rheostat Assembly (includes Wiring Harness)
- (4) #8 Screws
- Cover Plate for Wall Mounted Rheostat
- Knob for Wall Mounted Rheostat
- Wire Clamp for Wall Mounted Rheostat
- (2) Halogen Bulbs



Make sure power to the fireplace has been turned off prior to installation (disable the service breaker).



Do not connect 110-120 VAC to the gas control valve or the on/off circuit on this fireplace.

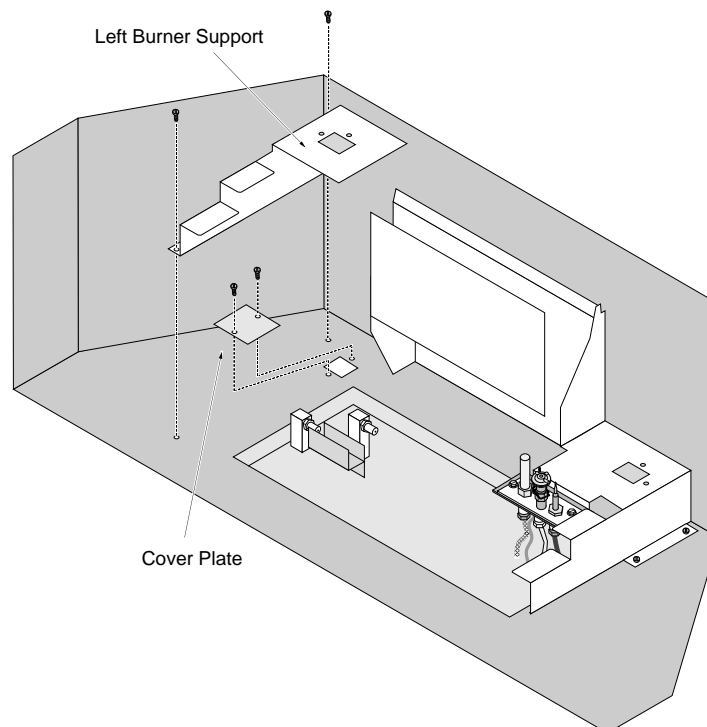


The accent light must be removed to install the rear fireback. The remaining firebacks are installed after the accent light is in place.

## 864 TRV Installation

**NOTE:** The bulbs are shipped separately. Do not touch the bulb – oil or other residue left on the bulb may lead to premature bulb failure. Use the packaging (or paper towel) to handle the bulb.

- 1 Remove the front and rear burners (see the installation manual for details).
- 2 Remove the left burner support and cover plate following the directions below.





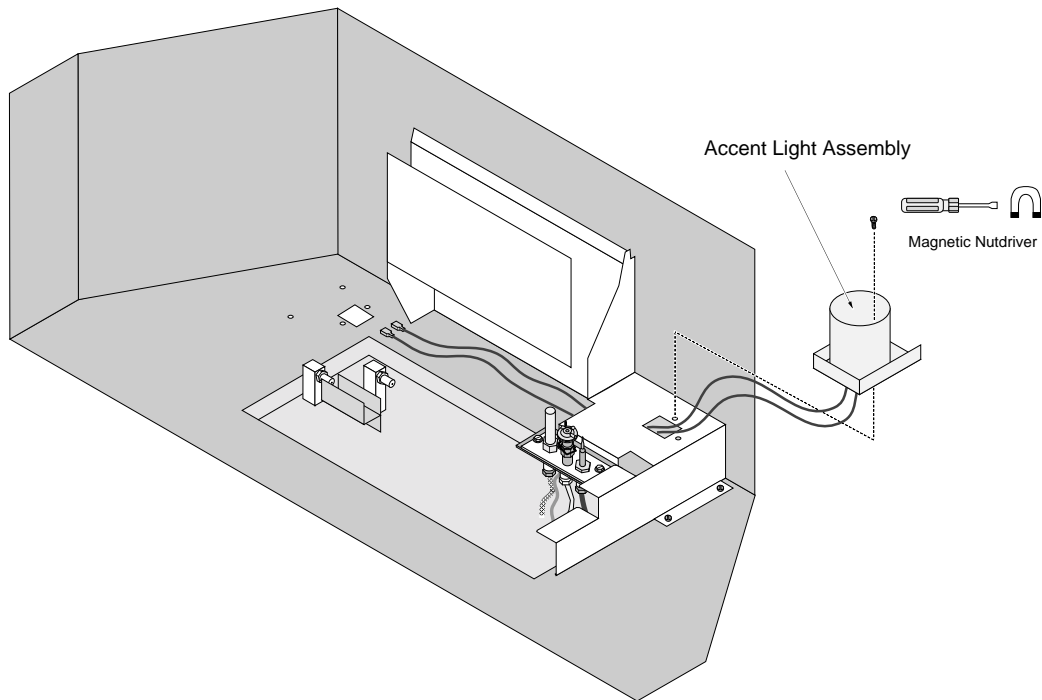
# Accent Light – Type 1

(94400100)

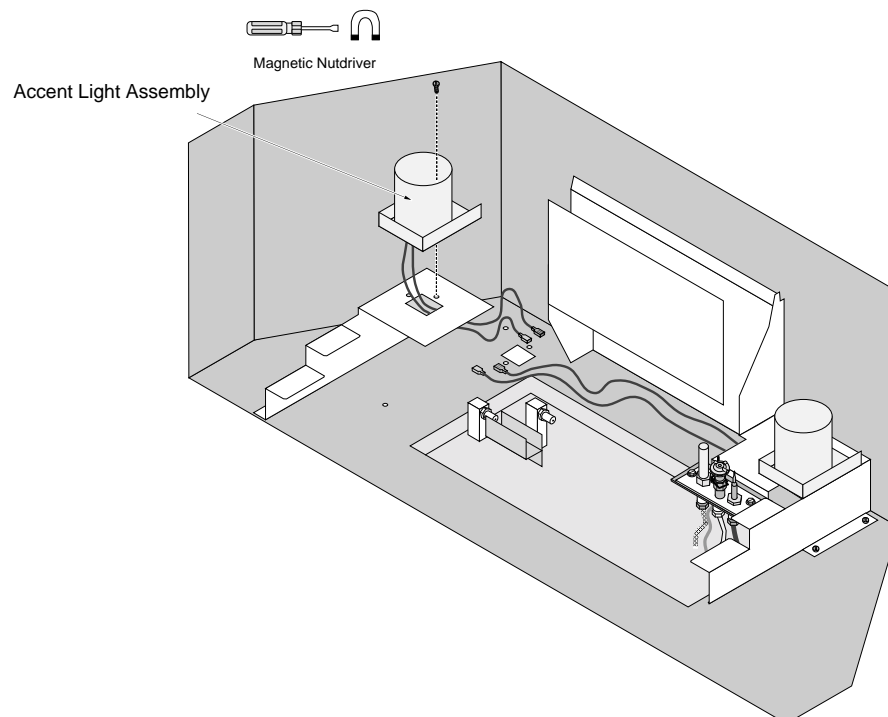


If using the optional fireback, install the rear fireback at this time.

- 3 Install one accent light assembly to the right side burner support as shown below.



- 4 Install the remaining accent light assembly to the left burner support. Place the burner support near its original location (do not attach at this time).





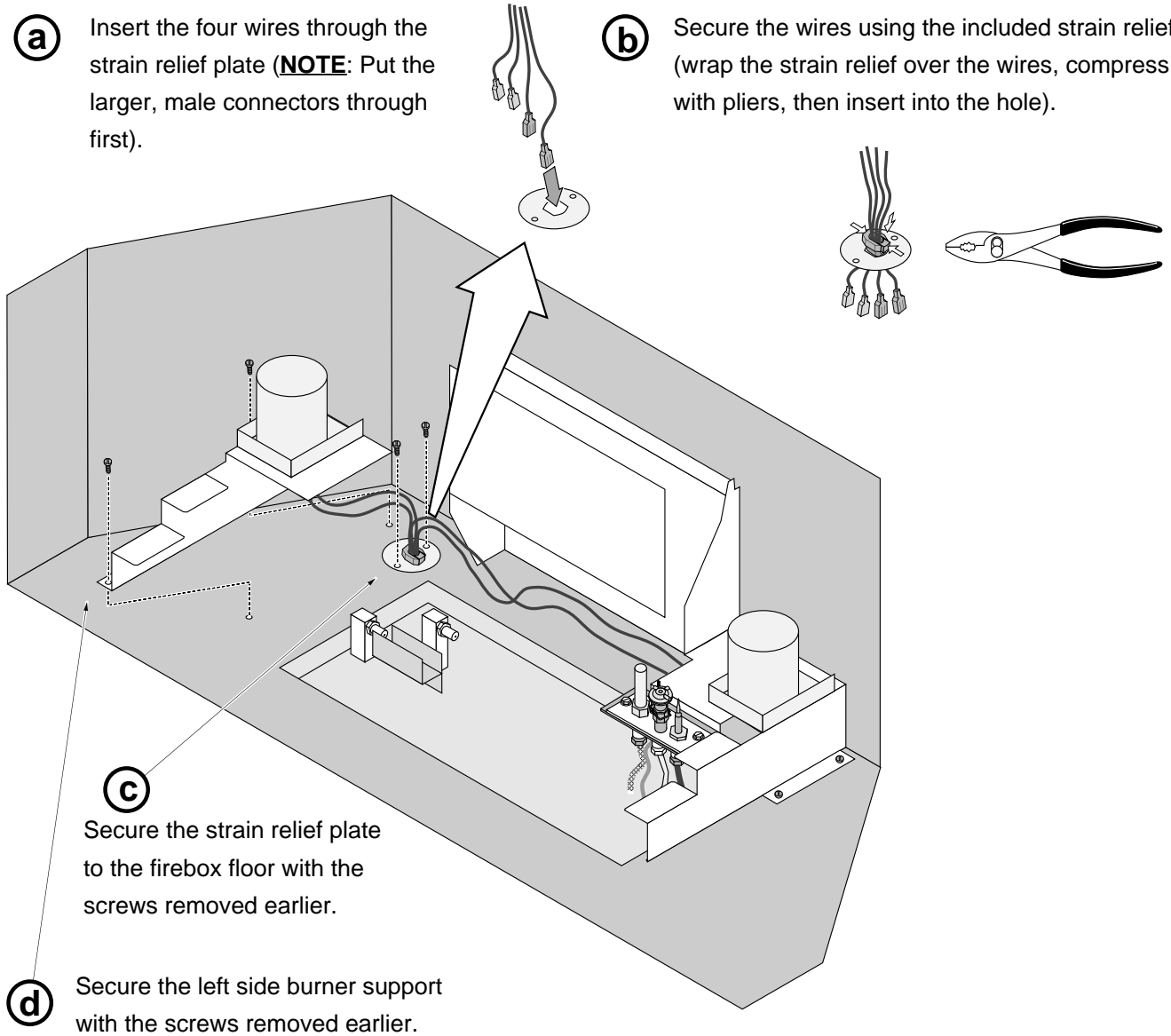
# Accent Light – Type 1

(94400100)

5 Install the strain relief plate to the firebox floor following the directions below.

**a** Insert the four wires through the strain relief plate (**NOTE:** Put the larger, male connectors through first).

**b** Secure the wires using the included strain relief (wrap the strain relief over the wires, compress with pliers, then insert into the hole).



**c** Secure the strain relief plate to the firebox floor with the screws removed earlier.

**d** Secure the left side burner support with the screws removed earlier.

6 Install the bulbs (take care to not touch the bulb).

7 Restore the firebox to the correct configuration (replace the burners, etc.).



If using the optional fireback, install the side and floor firebacks at this time.



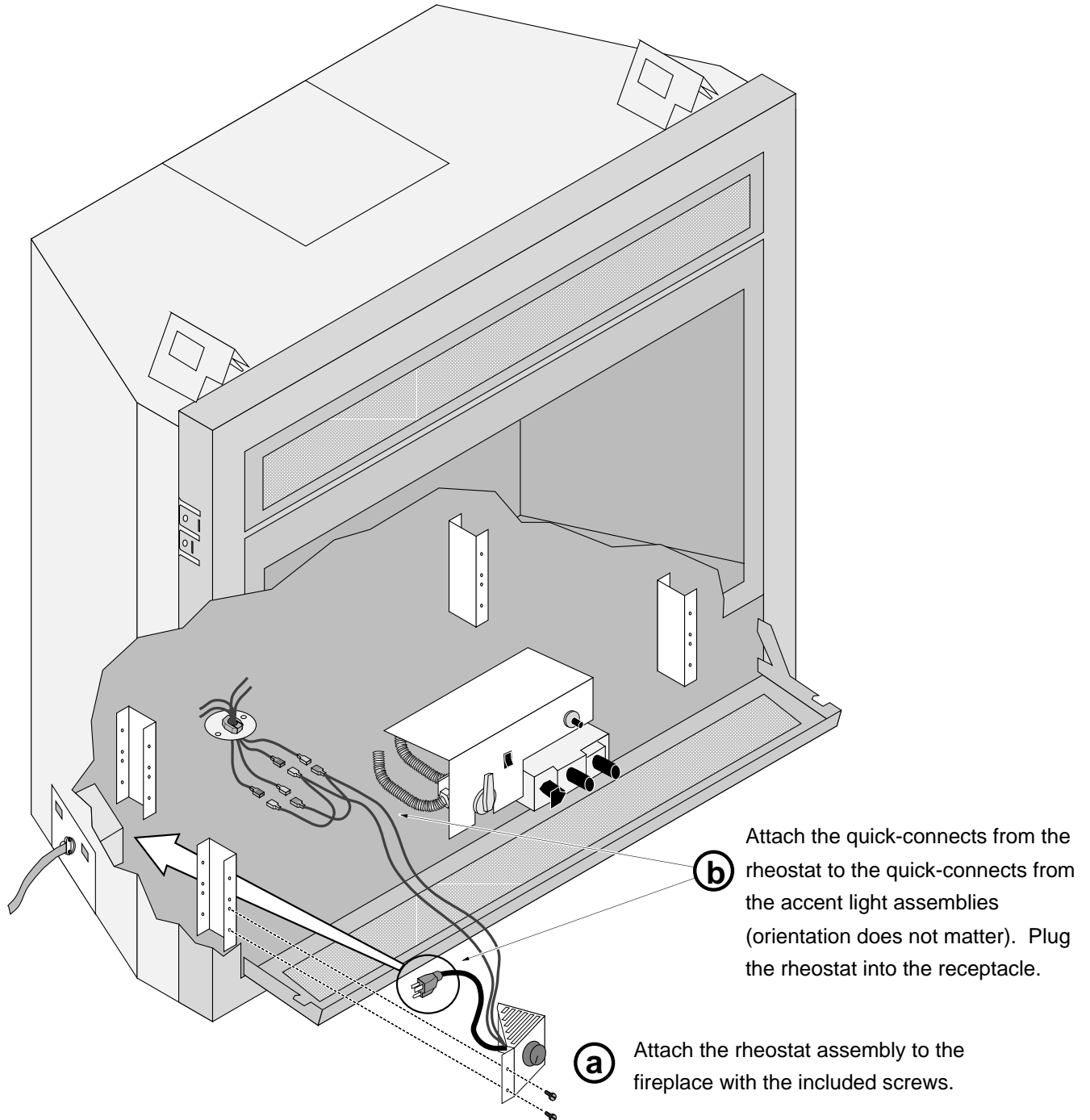
# Accent Light – Type 1

(94400100)



If using the optional wall-mounted rheostat, follow the directions on the following page "Wall Mounted Rheostat".

8 Install the rheostat assembly following the directions below.





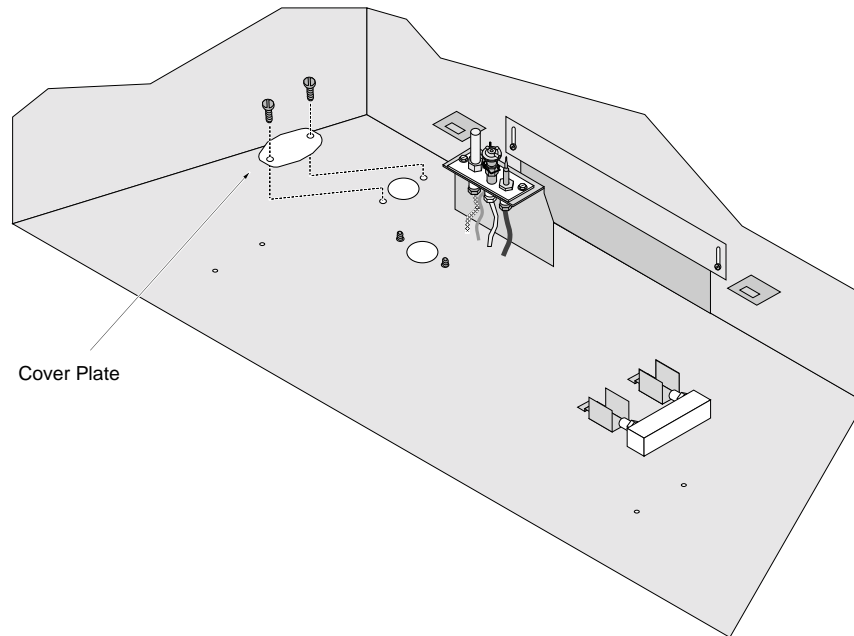
# Accent Light – Type 1

(94400100)

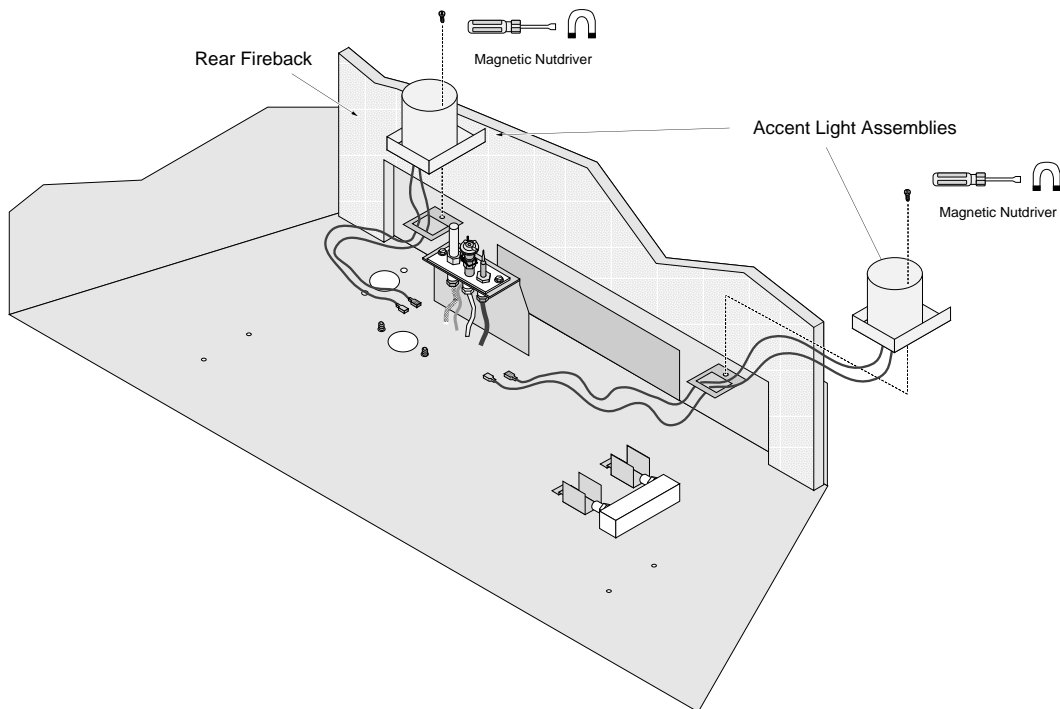
## 864 HH Installation

**NOTE:** The bulbs are shipped separately. Do not touch the bulb – oil or other residue left on the bulb may lead to premature bulb failure. Use the packaging (or paper towel) to handle the bulb.

- 1 Remove the firebacks (if already installed – see installation manual). Remove the burner (see installation manual).
- 2 Remove the cover plate following the directions below.



- 3 Place the rear fireback in position and install the accent light assemblies following the directions below.

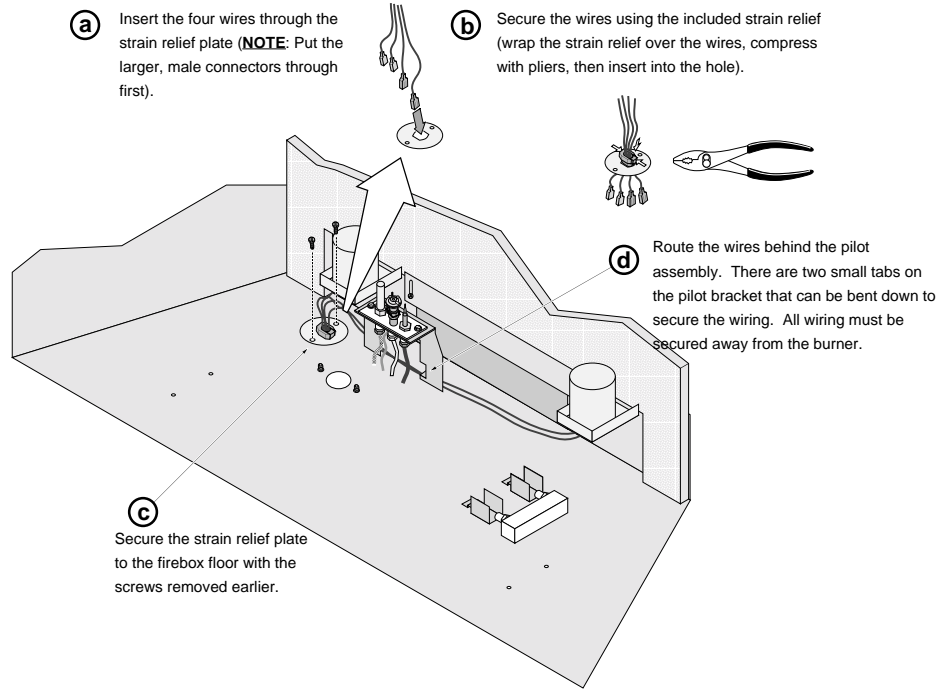




# Accent Light – Type 1

(94400100)

4 Install the strain relief plate to the firebox floor following the directions below.

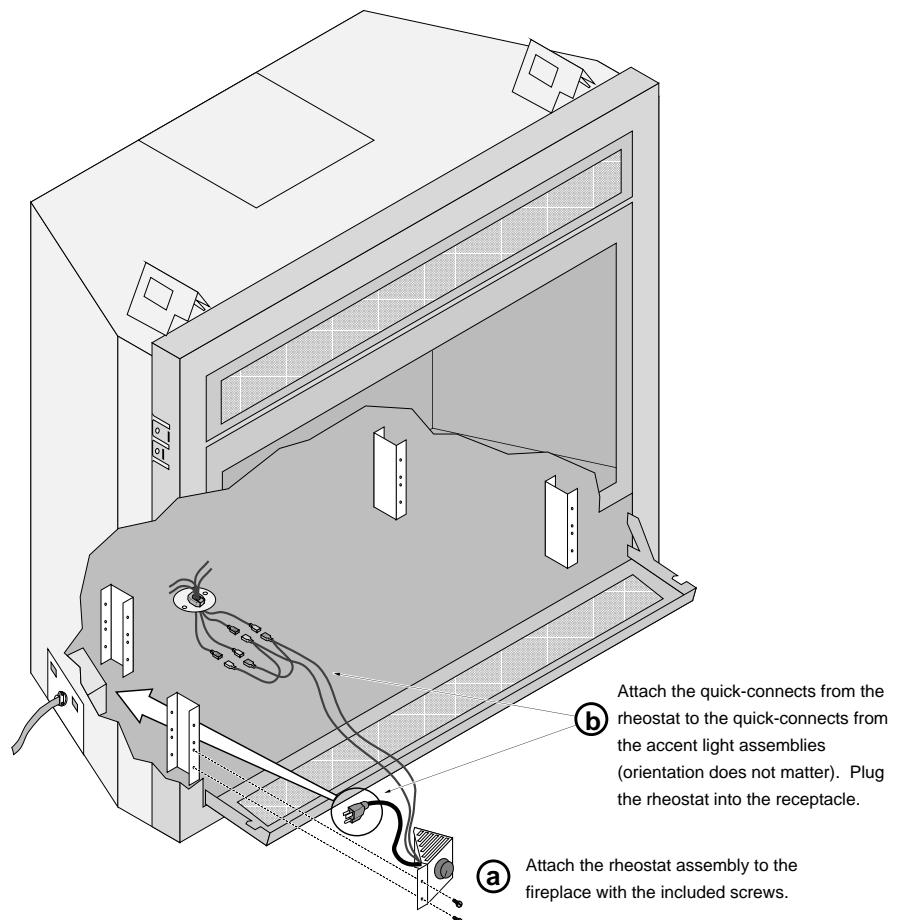


5 Restore the firebox to the correct configuration (replace the burner, firebacks, logs).

**NOTE:** If using the optional wall-mounted rheostat, follow the directions on the following page "Wall Mounted Rheostat".

6 Install the bulbs (take care to not touch the bulbs).

7 Install the rheostat assembly following the directions to the right.





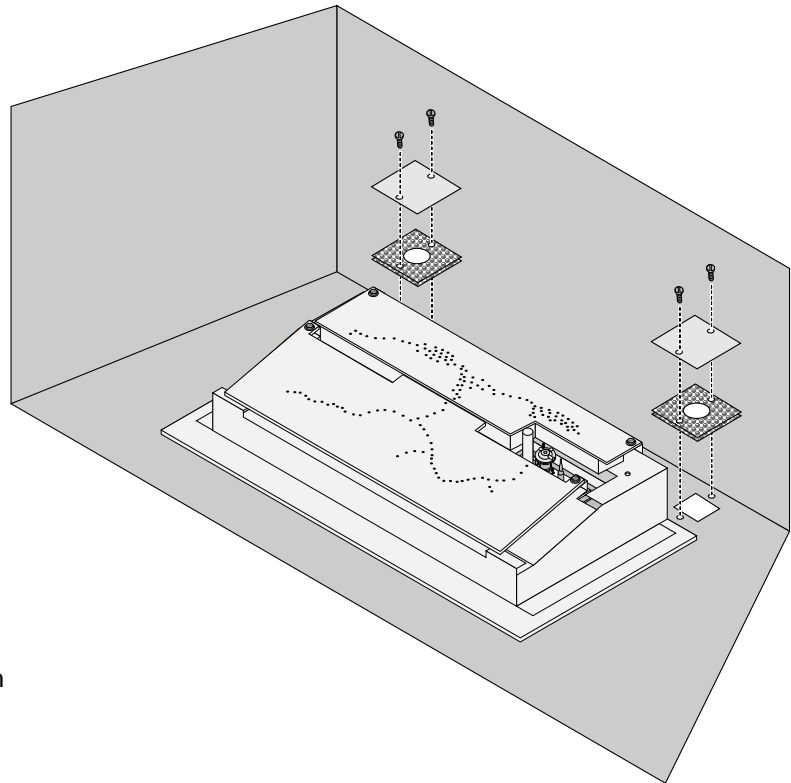
# Accent Light – Type 1

(94400100)

## 564 SS Installation

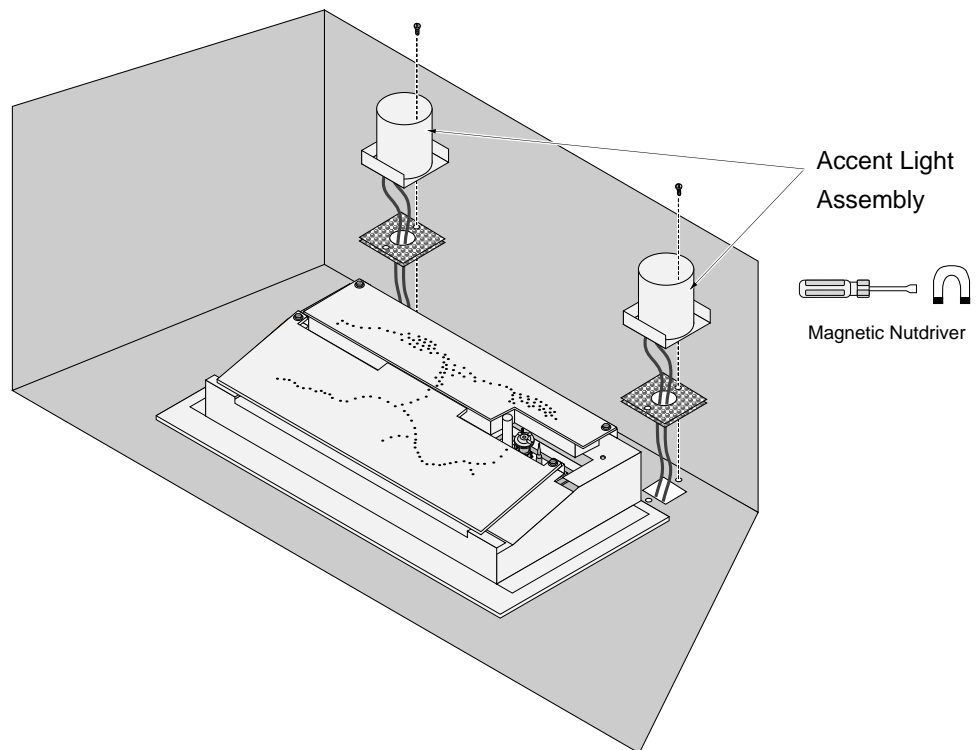
**NOTE:** The bulbs are shipped separately. Do not touch the bulb – oil or other residue left on the bulb may lead to premature bulb failure. Use the packaging (or paper towel) to handle the bulb.

- 1 Remove the glass and logs from the fireplace.
- 2 Remove the accent light cover plates and gaskets.



**NOTE:** If using the optional fireback, install the rear fireback at this time.

- 3 Insert the wires from the accent light through the gasket and firebox floor (both sides). Attach the accent light assembly to the firebox floor (both sides).
- 4 Restore the firebox to the correct configuration (replace the logs, glass, etc.).



**NOTE:** If using the optional fireback, install the side and floor firebacks at this time.



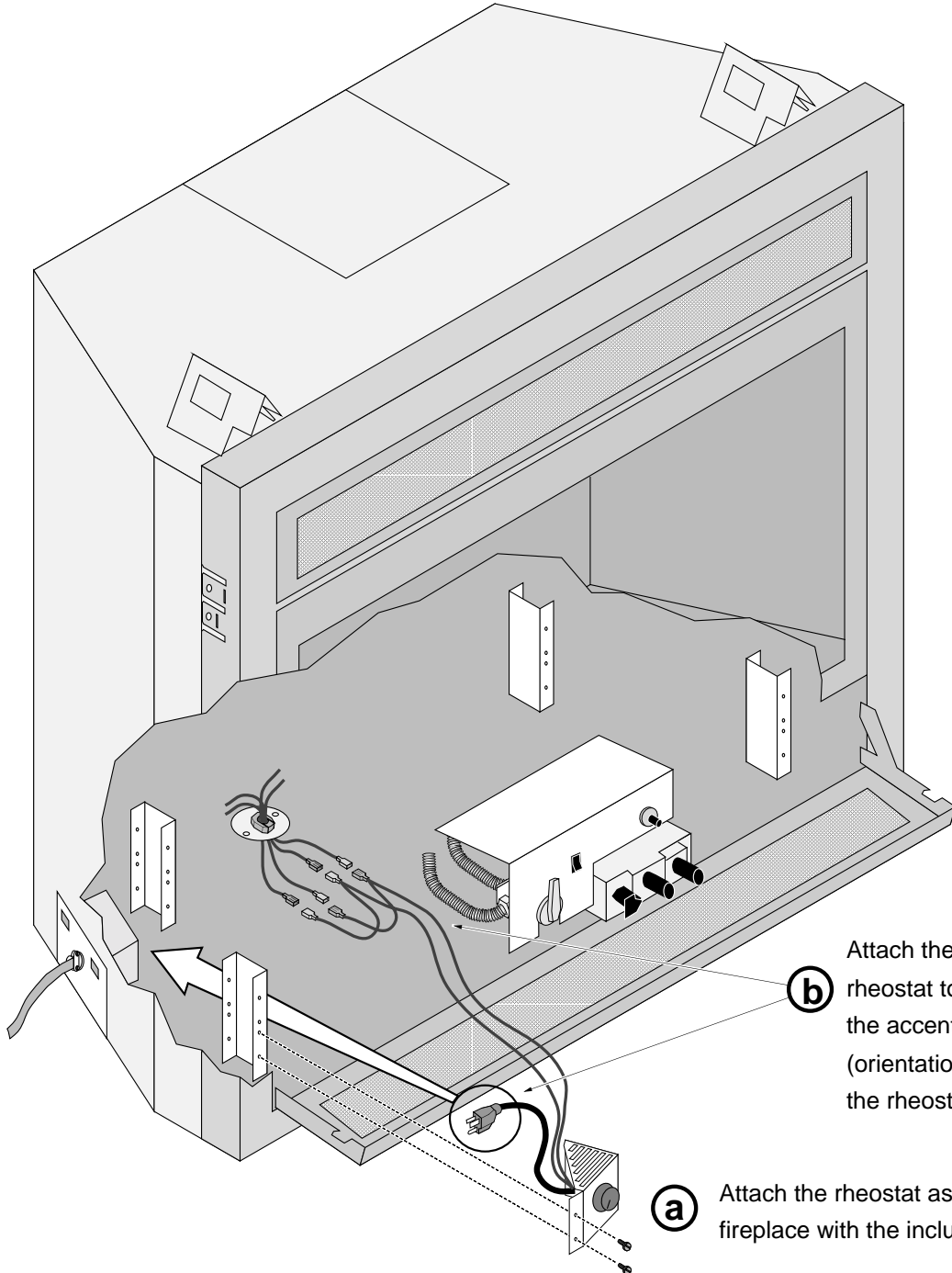
# Accent Light – Type 1

(94400100)



If using the optional wall-mounted rheostat, follow the directions on the following page "Wall Mounted Rheostat".

- 5 Install the rheostat assembly following the directions below.



**b** Attach the quick-connects from the rheostat to the quick-connects from the accent light assemblies (orientation does not matter). Plug the rheostat into the receptacle.

**a** Attach the rheostat assembly to the fireplace with the included screws.



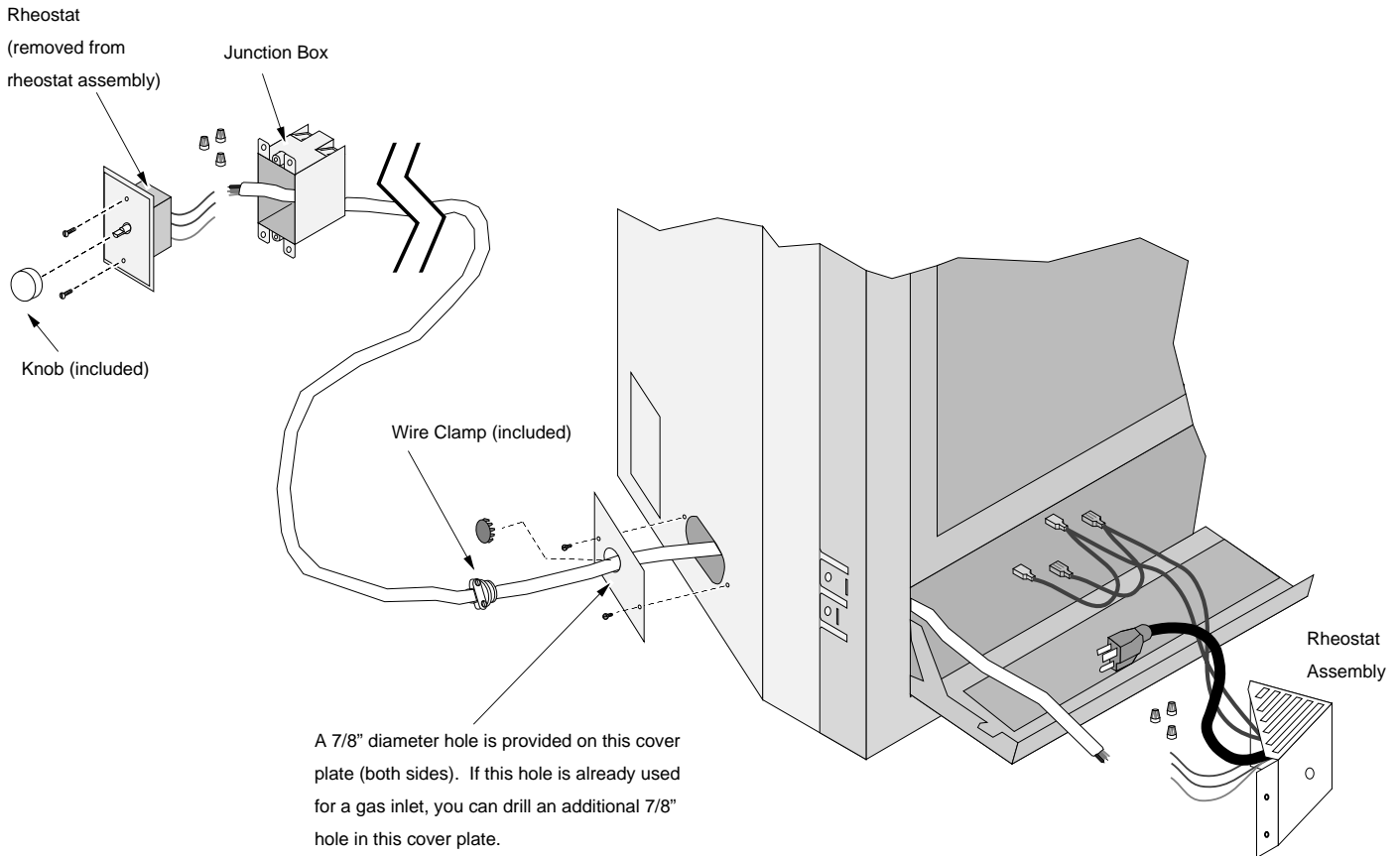


## Optional Wall-Mounted Rheostat



NOTE: Many areas require all wiring to be installed by a qualified electrician. Check with your local building official for any requirements in your area.

- 1 Remove the rheostat from the rheostat assembly.
- 2 Detach the three wires leading from the rheostat (secured with wire nuts). Attach the rheostat assembly to the fireplace (see the illustration on the previous page). Attach the quick connects from the rheostat to the quick connects from the accent light assemblies (see the illustration on the previous page).
- 3 Attach three suitable wires (insulated & sheathed) to the rheostat. Install the rheostat into a junction box at the remote location. Run the wire from the junction box to the fireplace. Use the included wire clamp to secure the wiring as it passes through the fireplace (see the illustration below).
- 4 Connect the three wires from the rheostat to the three wires on the wiring harness disconnected in step 2 (use the included wire nuts). Plug the rheostat assembly into the receptacle inside the fireplace.





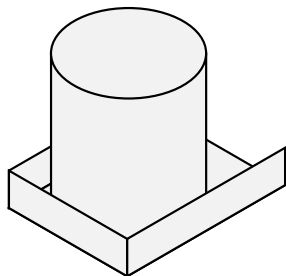
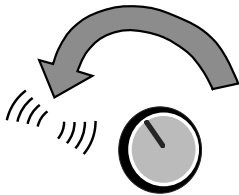
# Accent Light – Type 1

(94400100)

## Accent Light Operation

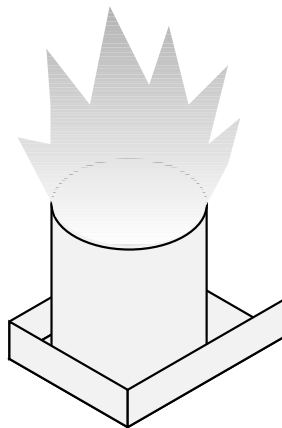
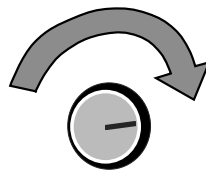
### OFF

Turn the dial all the way counter-clockwise until it clicks off.



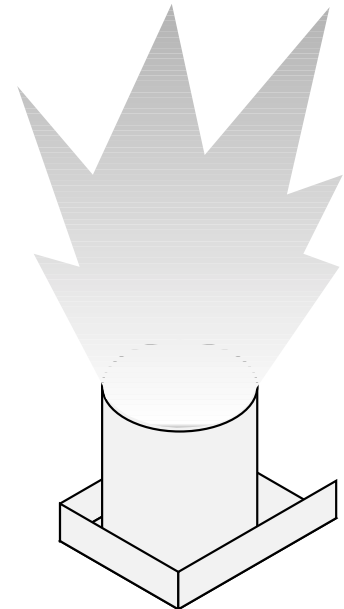
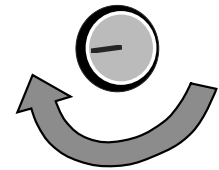
### LOW

Turn the dial 180° clockwise until the light begins to glow.



### HIGH

The high position is all the way clockwise.



**NOTE:** The accent light responds best when turned to high, then turned down to the desired light level.

## Bulb Replacement

**NOTE:** Do not touch the bulb – oil or other residue left on the bulb may lead to premature bulb failure. Use the packaging (or paper towel) to handle the bulb.

The bulbs must be replaced with 35 Watt 120 Volt T4 Halogen Bulbs (G6.35 Base) – available at most hardware stores. To replace the bulb, simply remove it from the socket and insert the new bulb (pin orientation does not matter).